

50L - SPIDER/TRIUM LIFT



Specs and Features

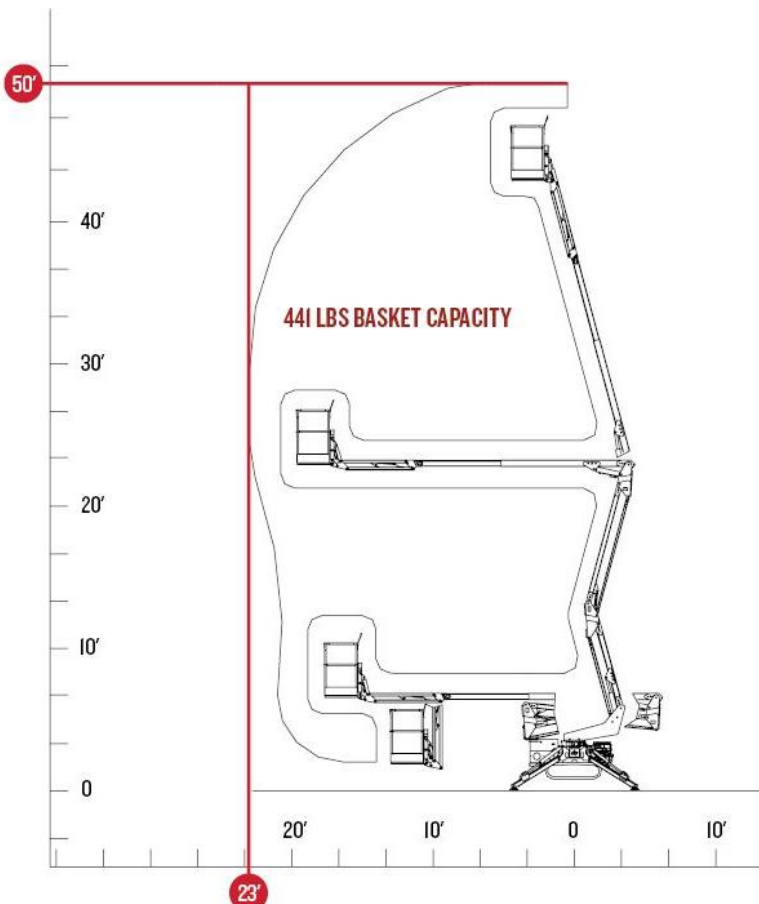
Max. working height	49' 8"
Max. horizontal outreach	23'
Max. load on the basket	441lbs
Jib movement	90°
Turret rotation	+/- 356°
(P) Max. slope to stabilize (deployment)	7° (12%)
Tracks extension/retraction	12"
(W) Max. slope approach angle/slope	13° (23%)
(X) Gradeability – max. travel angle/slope	17° (30%)
Max. travel speed	0 – 1.5 mph

Basket & Outriggers

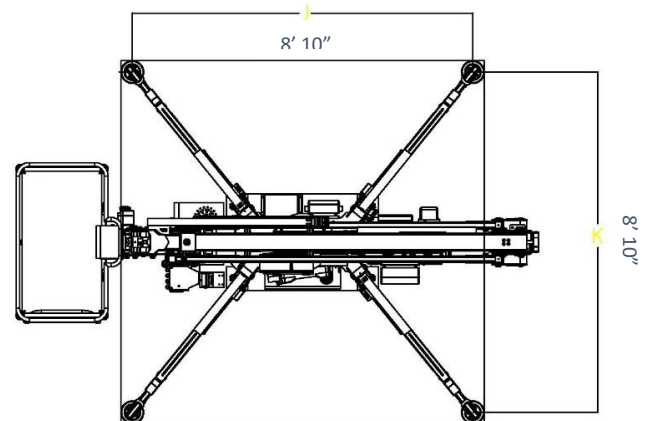
(A) Basket height	43"
(B) Basket width	27"
(C) Basket length	48"
(D) Total length	13' 6"
(E) Total length without basket	11' 8"
(F) Height in driving position	78"
(G) Total width (without basket)	32"
(H) Free height from the ground	9"
(I) Tracks (LxW)	48" * 7"
(J) Max. longitudinal stabilization	8' 10"
(K) Max. cross stabilization	8' 10"
(L) Total width	32"
(Q) Outrigger (stabilizer) plate (foot) diameter	7"
Total weight	4,310 lbs



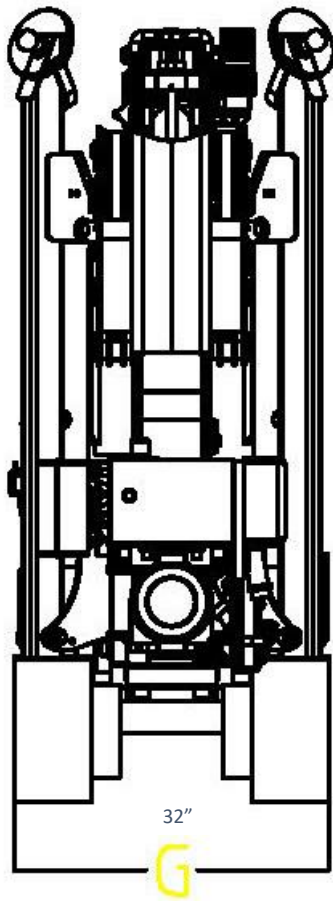
Reach



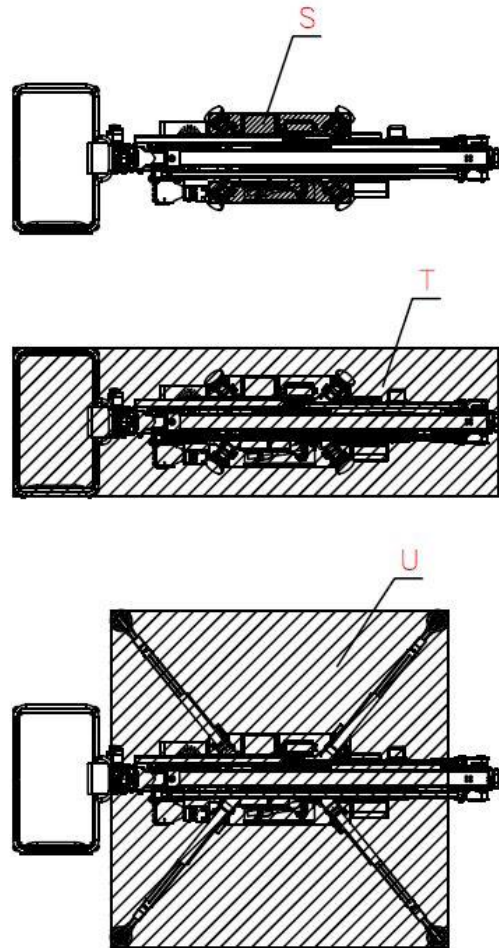
Onsoutrigger setup



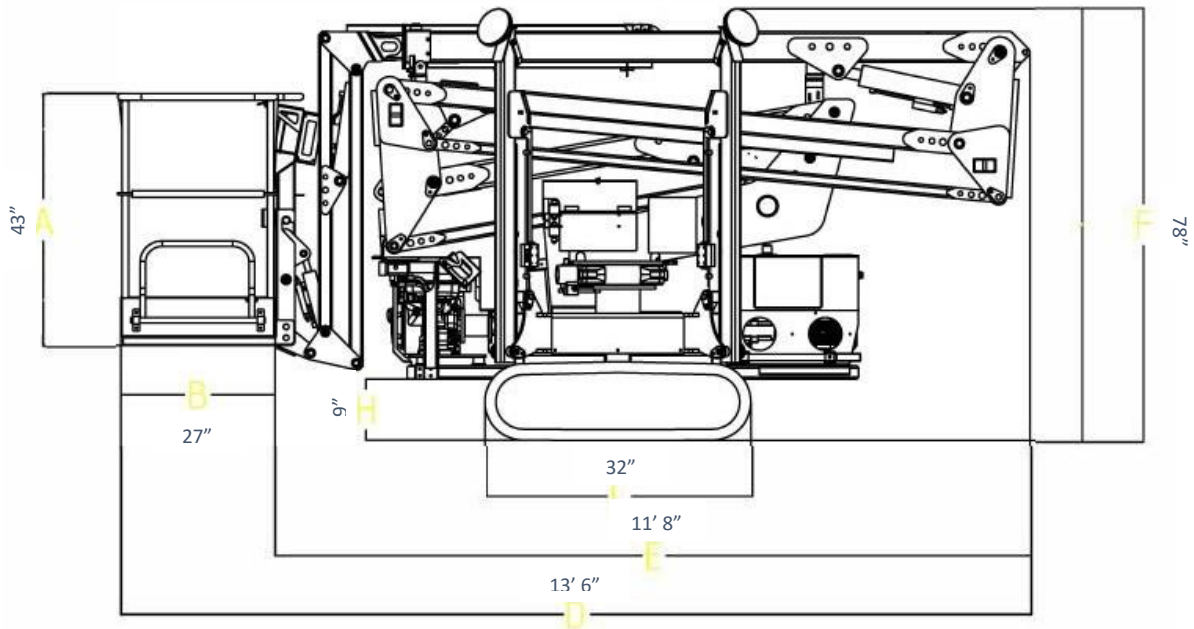
Width



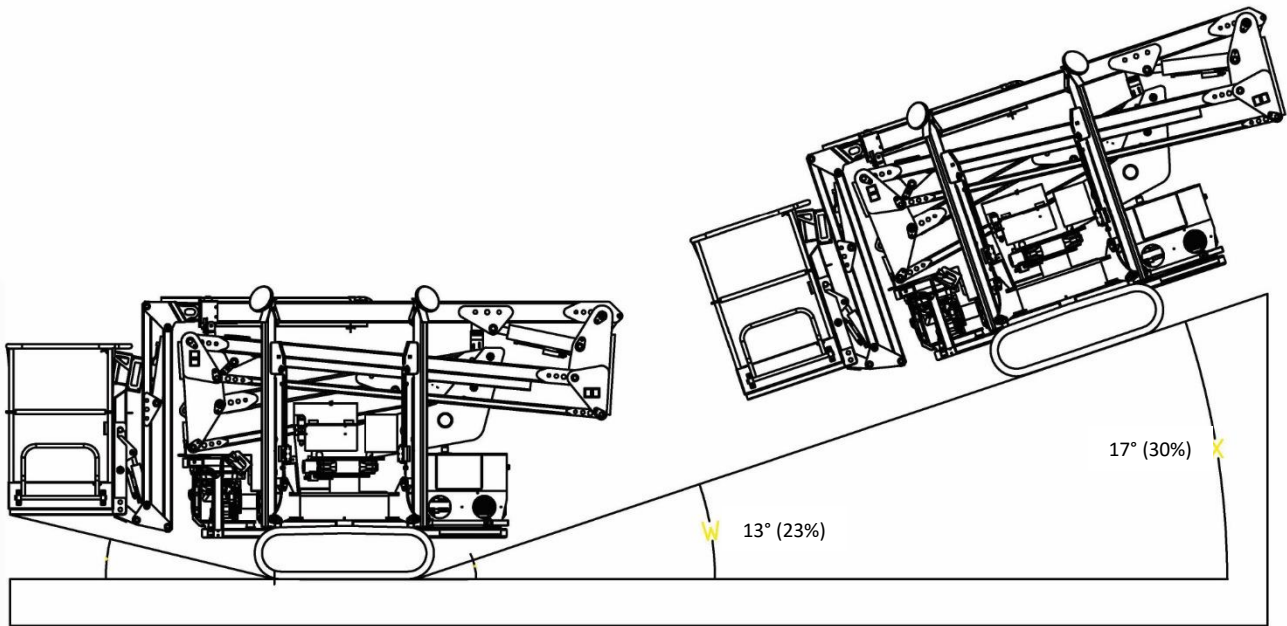
Pressure



Dimensions



Slope approach and climb



Stabilization

