

60HD+ - SPIDER/TRIUM LIFT



Specs and Features

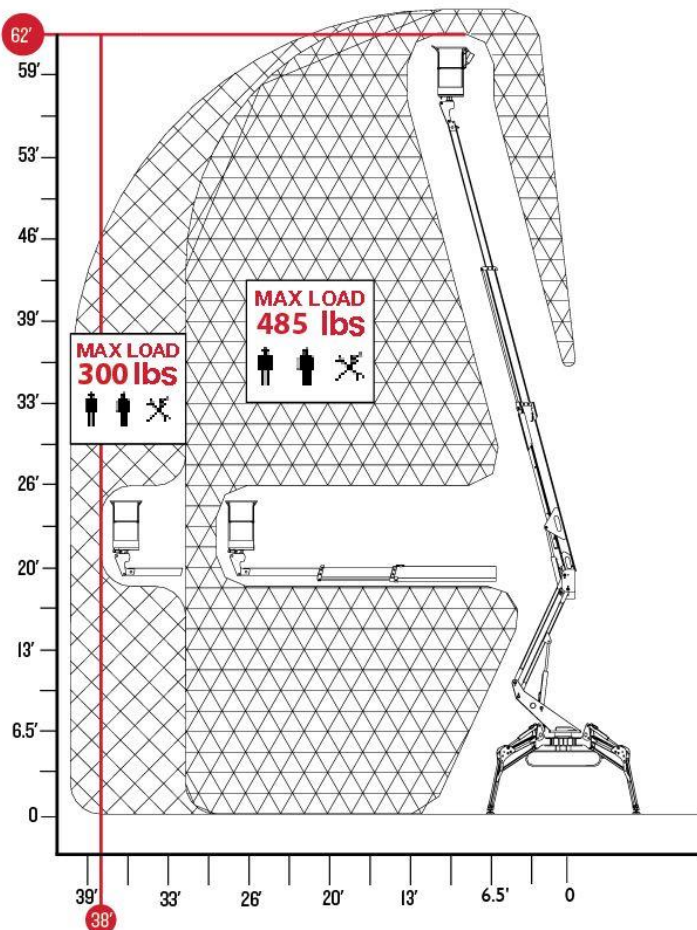
Max. working height	62'
Max. lateral reach at 300 lbs, unrestricted	38'
Max. lateral reach at 485 lbs	29.5'
Max. weight load with standard basket	441 lbs
Turret rotation	+/- 178°
(P) Max. slope to stabilize (deployment)	20° (36%)
Tracks extension	34.5" – 50"
(W) Max. slope approach angle/slope	30° (57%)
(X) Gradeability – max. travel angle/slope	17° (30%)
Max. travel speed	0 – 1.5 mph



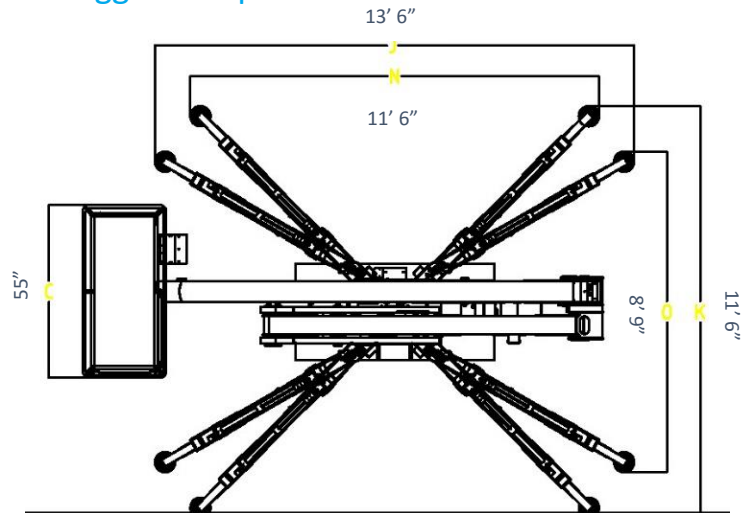
Basket & Outriggers

(A) Basket height	40"
(B) Basket width	24"
(C) Basket length	55"
(D) Total length	15' 4"
(F) Height in transport mode	80"
(G) Total width	35"
(H) Free height from the ground	7"
(I) Tracks (LxW)	69" x 10"
(J) Outrigger spread length in narrow position	13' 6"
(K) Outrigger spread width in narrow position	8' 9"
(L) Outrigger spread length in wide position	11' 6"
(M) Outrigger spread width in wide position	11' 6"
(N) Outrigger (stabilizer) plate (foot) diameter	7"
Total weight	6,500 lbs

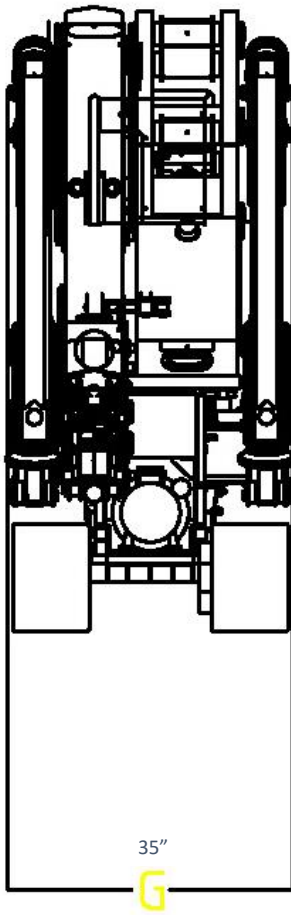
Reach



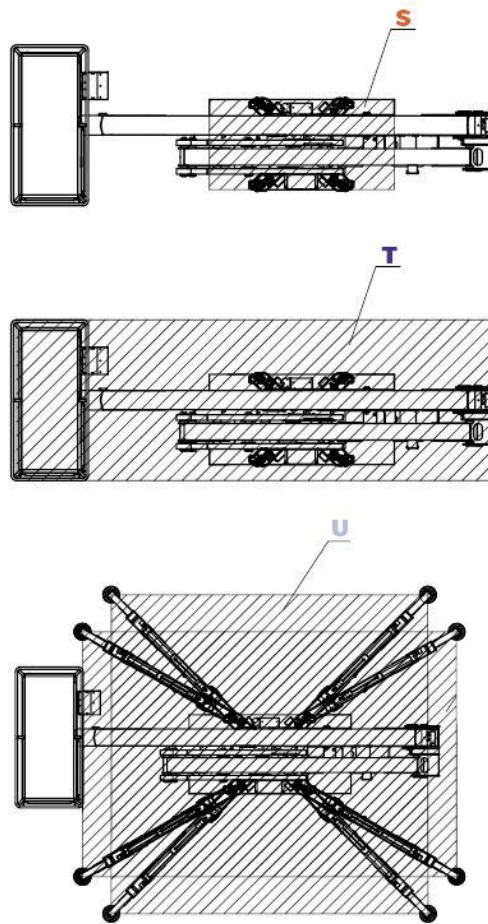
Outrigger Setup



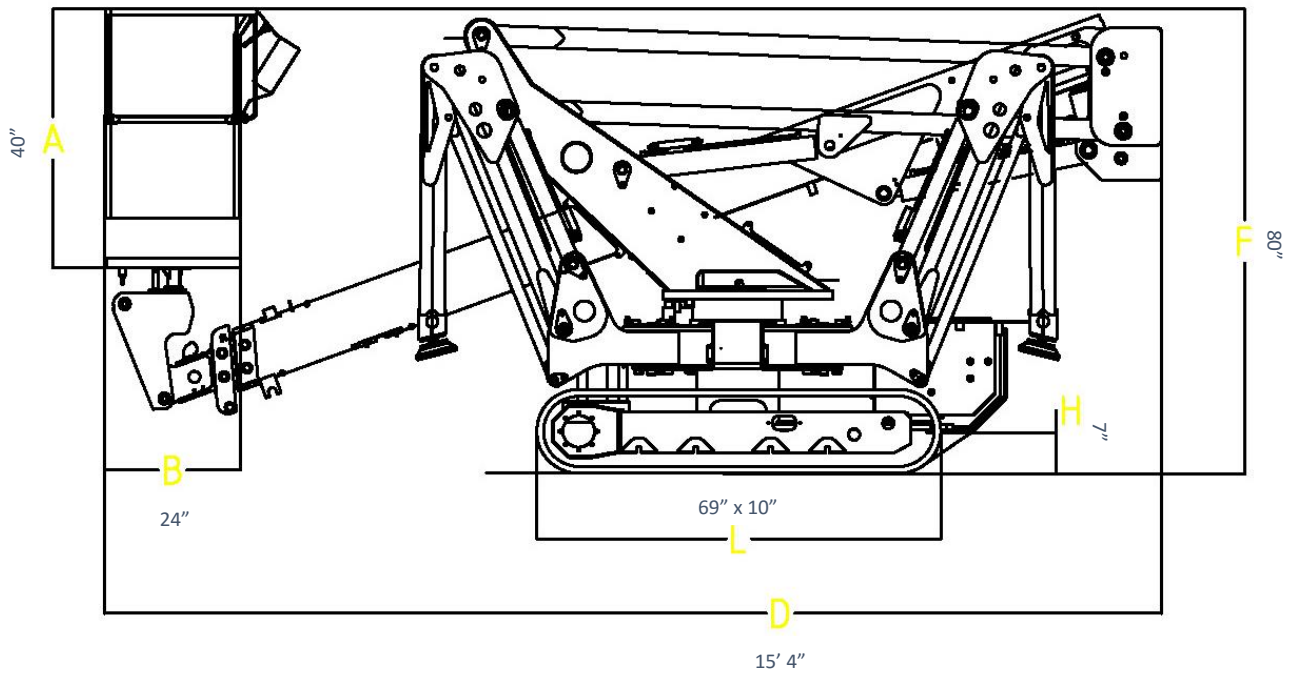
Width



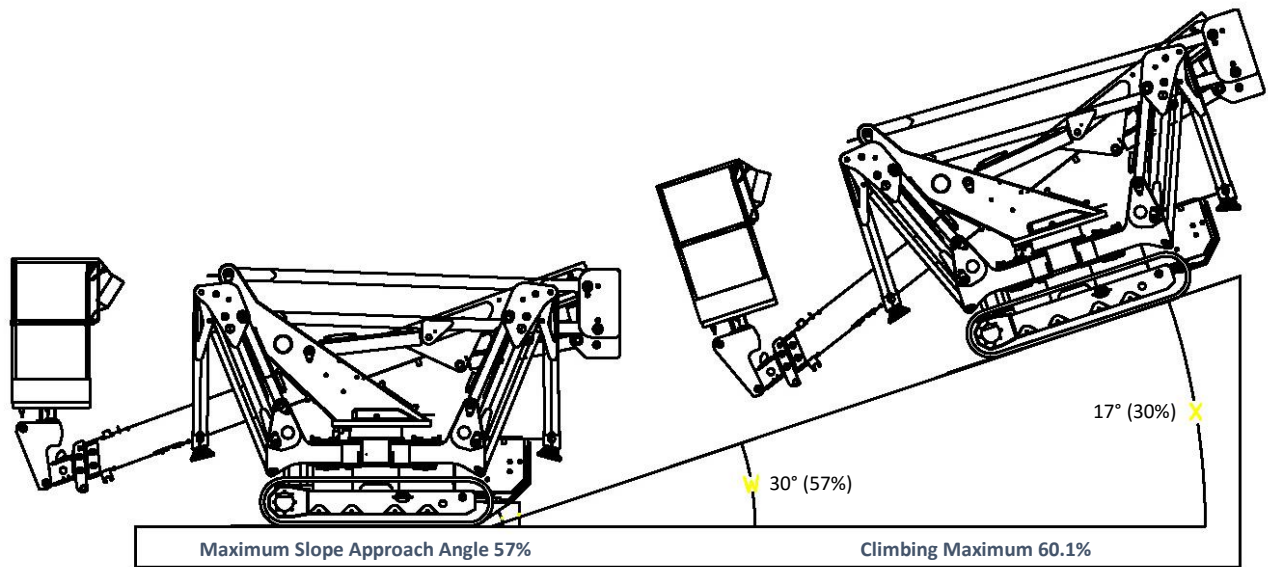
Pressure



Dimensions



Slope Approach and Climb



Stabilization

