

# 83HD+ - SPIDER/TRIUM LIFT



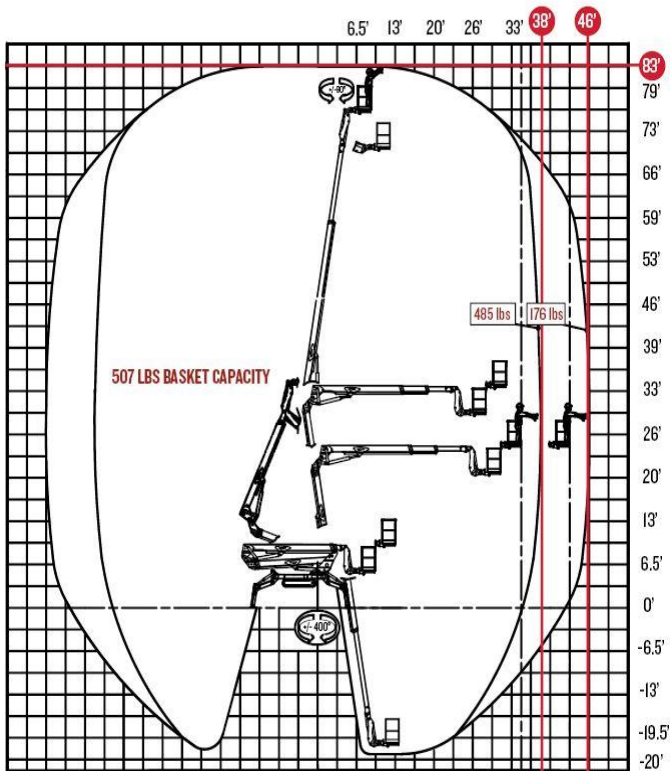
## Specs and Features

Max. working height	83'
Max. side reach at 507 lbs, unrestricted	46'
Max. weight load with standard basket	507 lbs
Max. weight load (single man fiberglass basket)	537 lbs
Movable jib articulating range	135°
Turret rotation range	+/-400°
Basket rotation range	+/-90°
(P) Max. slope to stabilize (deployment)	19° (34%)
Height/Width tracks adjustment	7"
(W) Max. slope approach angle/slope	14° (25%)
(X) Gradeability – max. travel angle/slope	19° (34%)
Gradeability – max. travel cross hill	19° (34%)
Max. crawler travel speed	0 – 3 mph

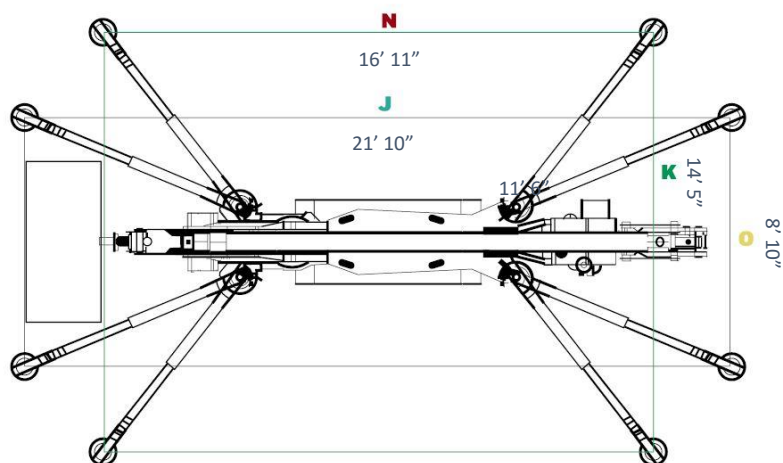
## Basket & Outriggers

(A) Basket height	43"
(B) Basket width	27"
(C) Basket length	48"
(D) Total length	21' 3"
Length without basket	19' 6"
(F) Height in transport position	78"
(G) Total width (without basket)	35"
(H) Free height from the ground	15"
(I) Tracks (LxW)	72" x 10"
(J) Outrigger spread length in narrow position	21' 10"
(O) Outrigger spread width in narrow position	8' 10"
(K) Outrigger spread width in wide position	14' 5"
(N) Outrigger spread length in wide position	16' 11"
(N) Outrigger (stabilizer) plate (foot) diameter	9.5"
Total weight	8,500 lbs

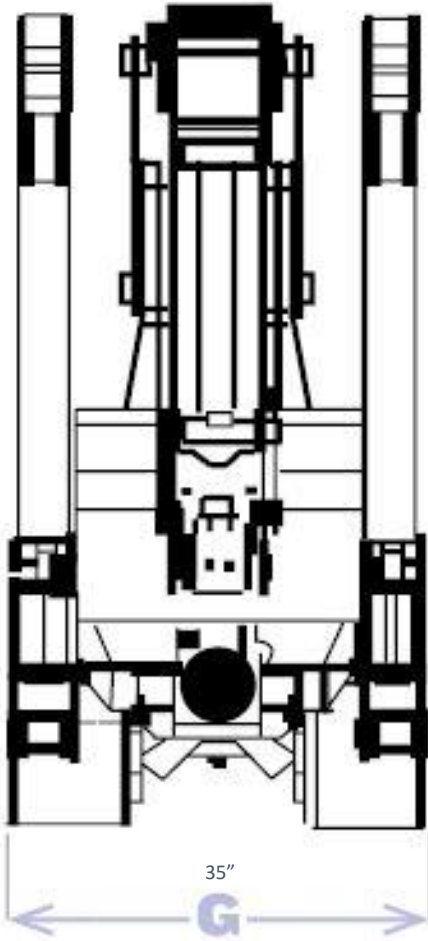
## Reach



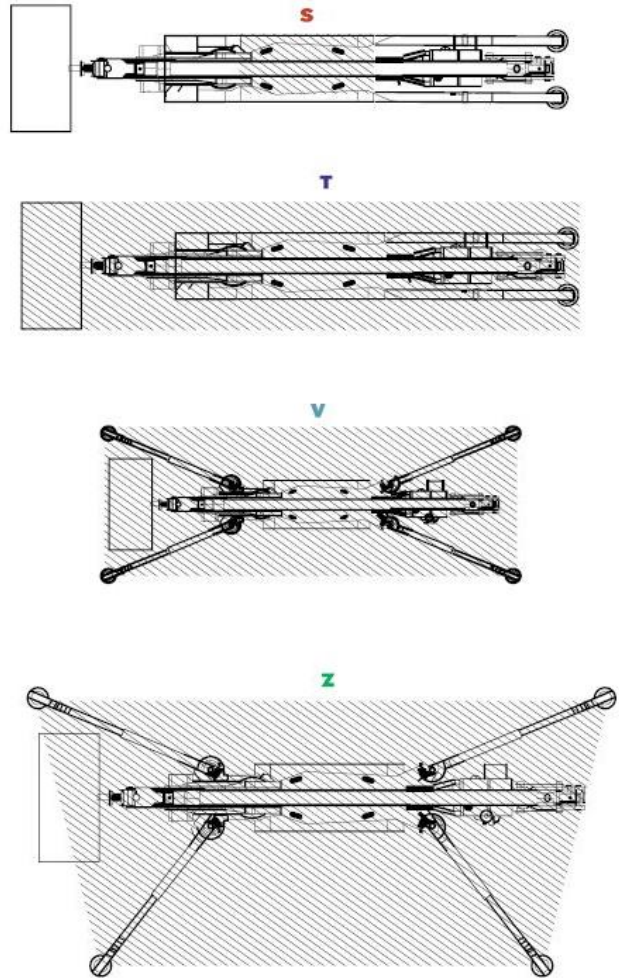
## Outrigger Setup



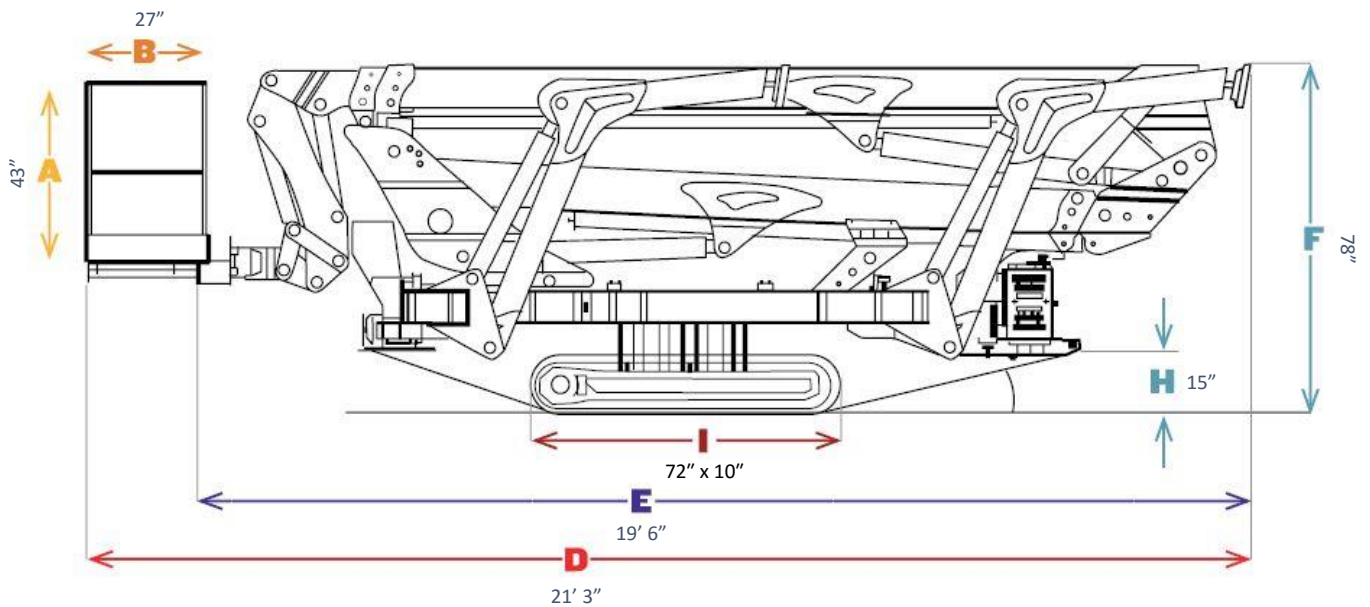
## Width



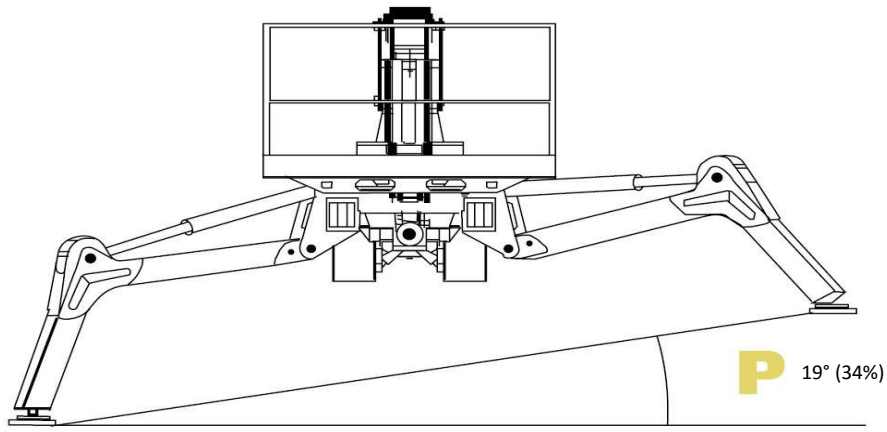
## Pressure



## Dimensions

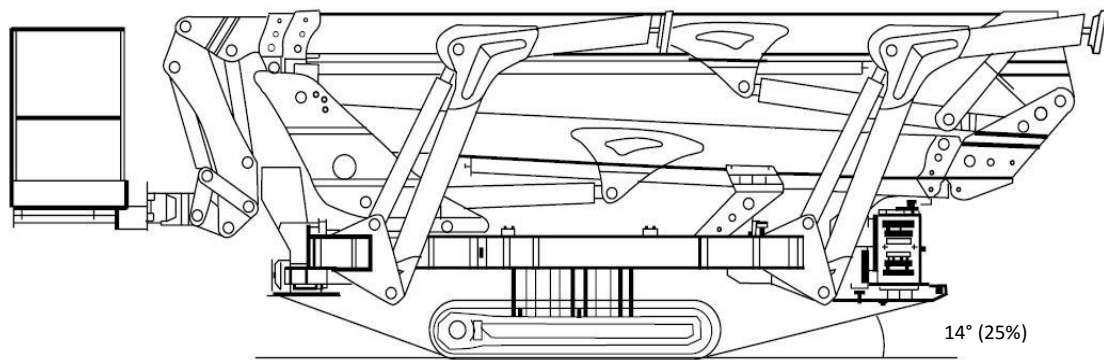


## Stabilization



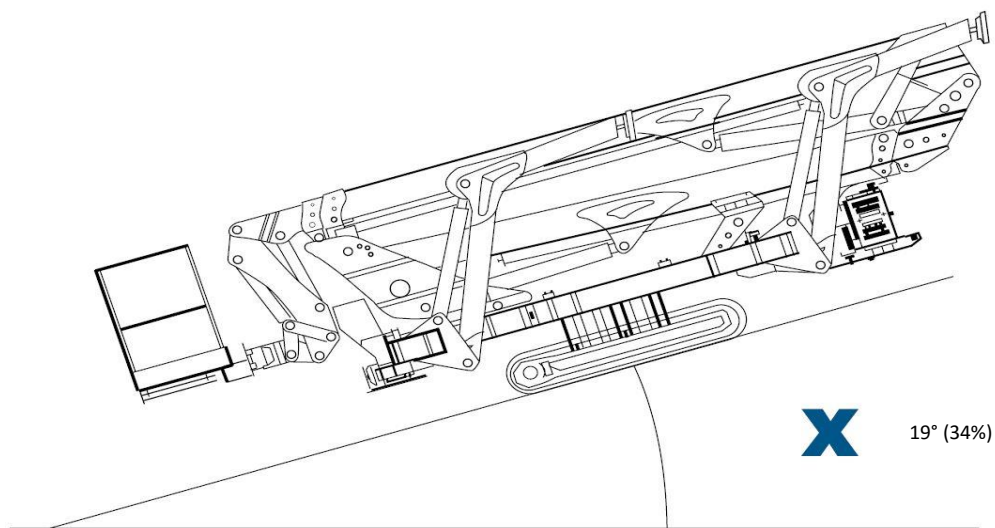
Maximum Slope to Stabilize 34%

## Slope approach



Maximum Slope Approach Angle 25%

## Climbing maximum



Climbing Maximum 60.1%